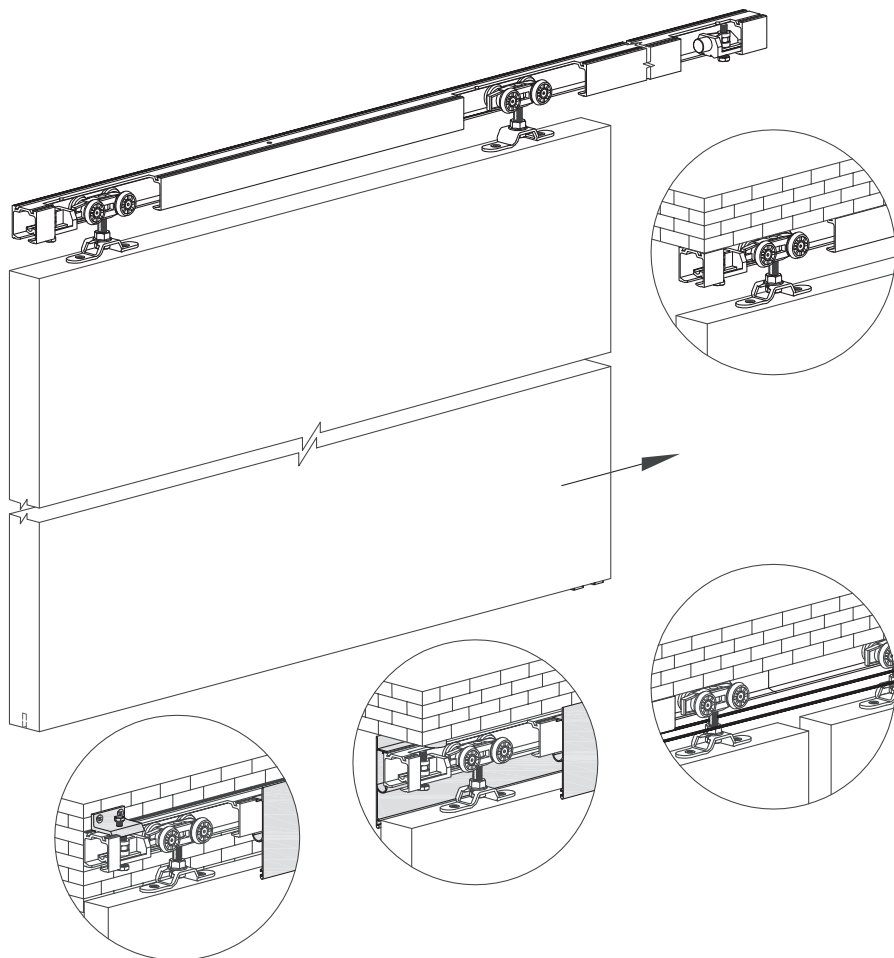
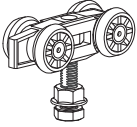
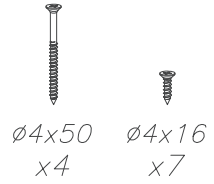
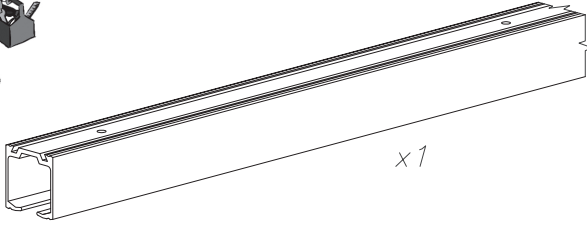


WS 60

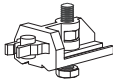




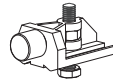
x2



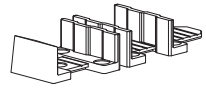
x2



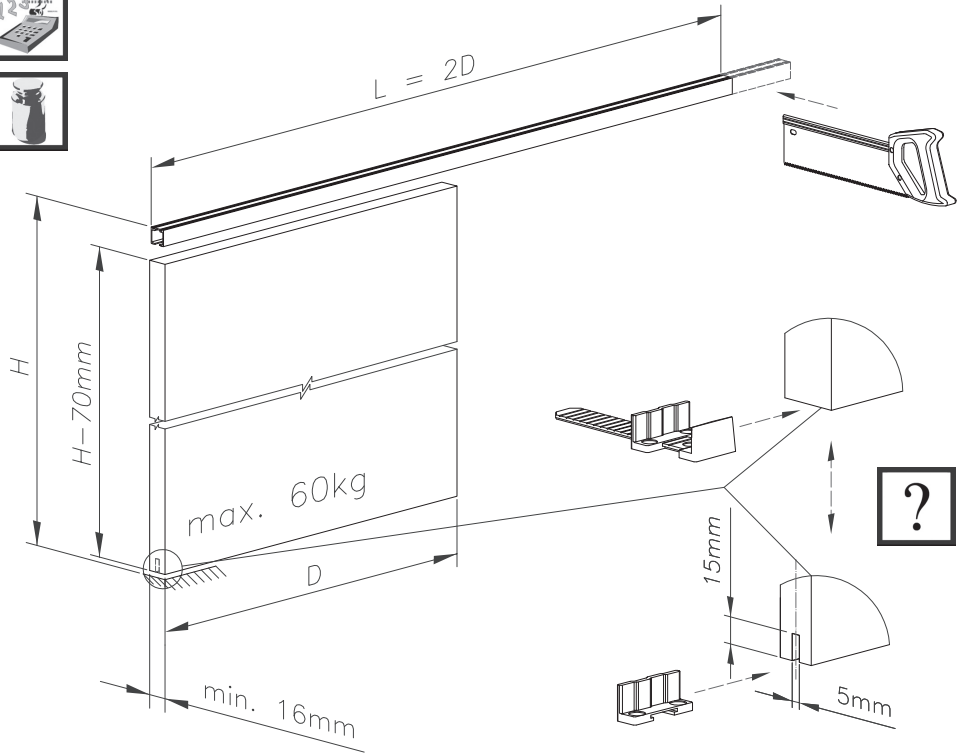
x1



x1

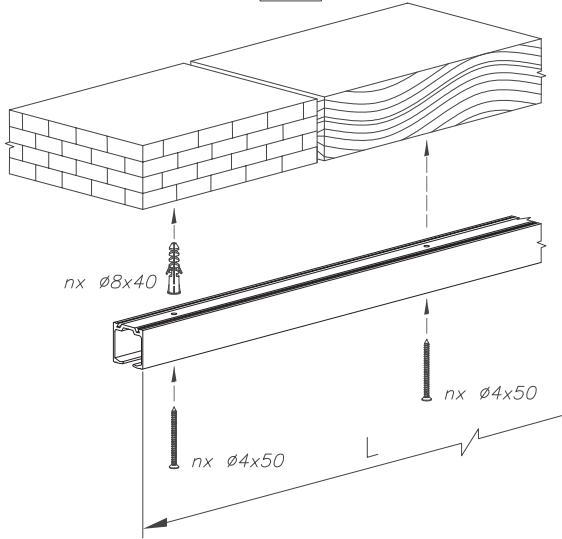


x1



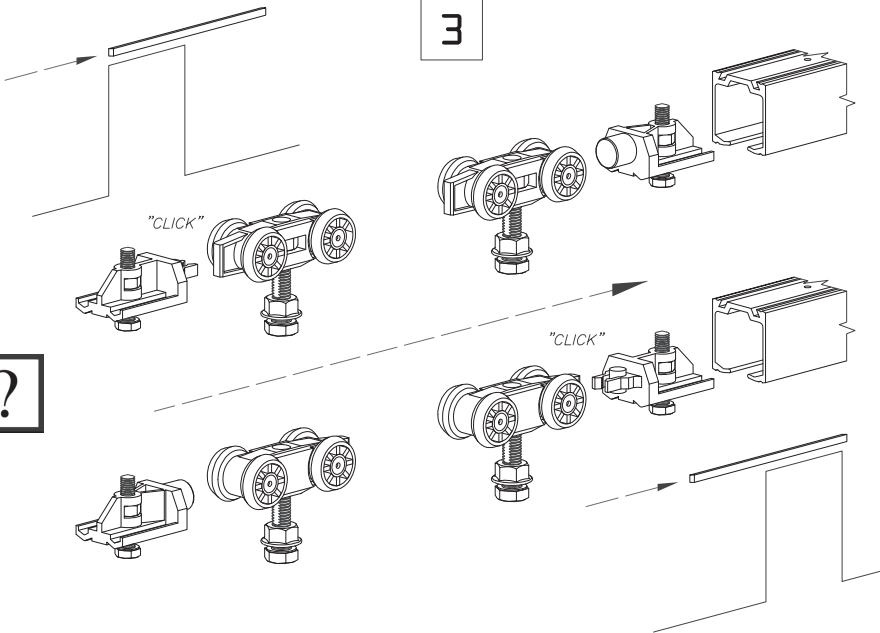


2



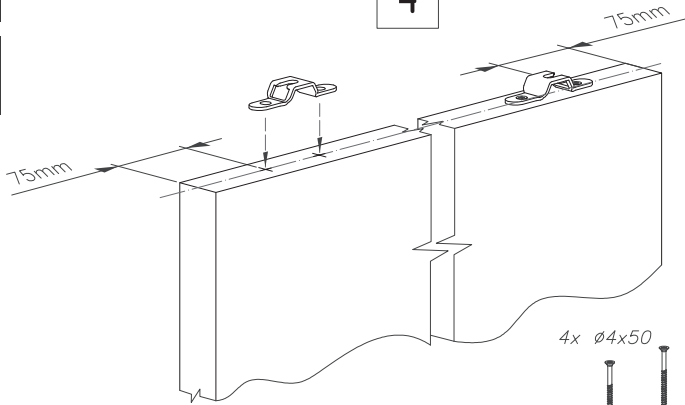
L[mm]	1200	1500	1800	2000	2400	3000
n	5	6	7	7	9	11

3

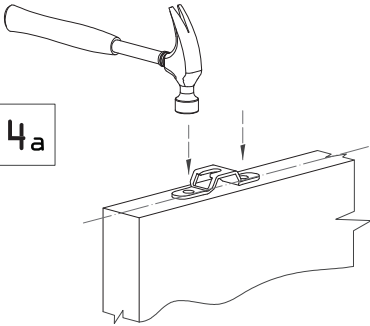




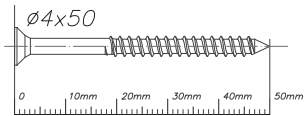
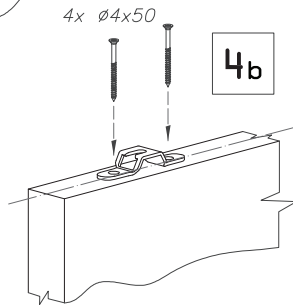
4



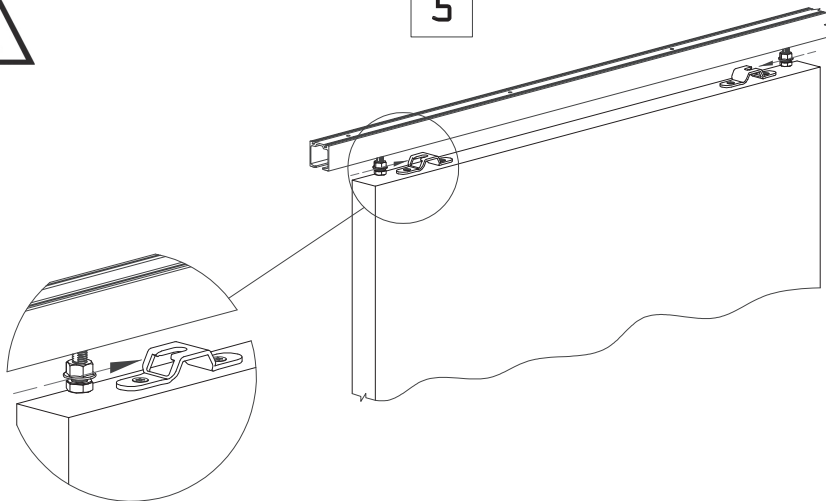
4a



4b

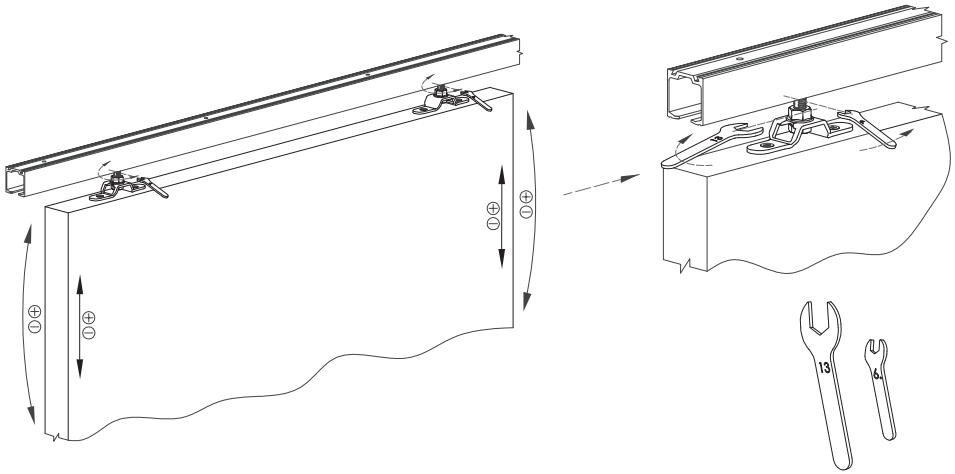


5

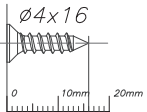
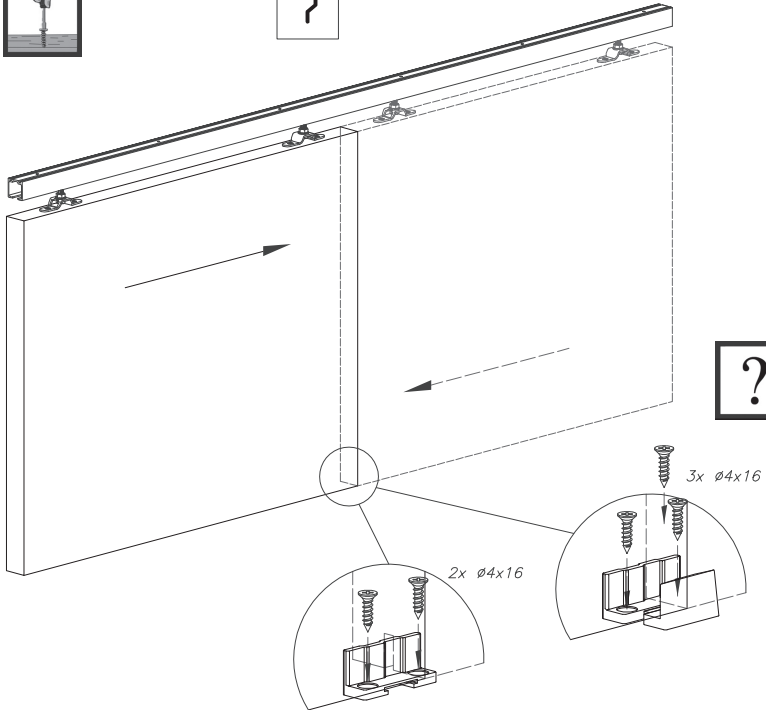


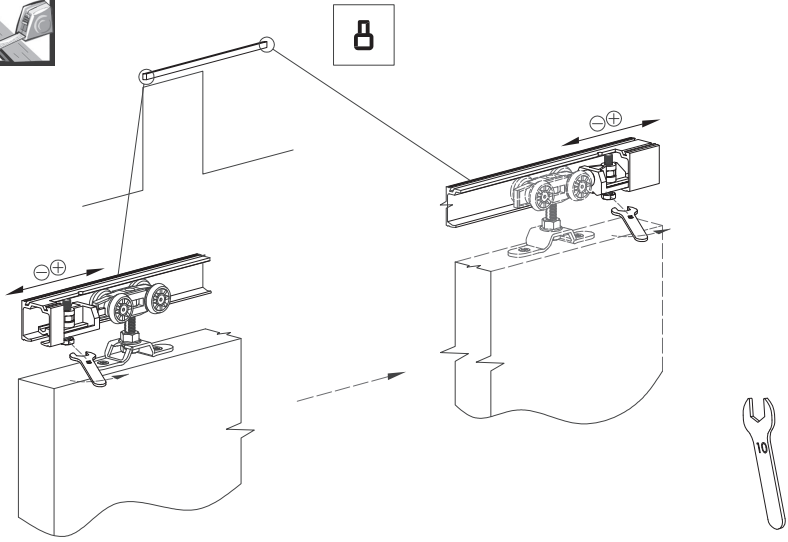
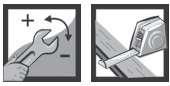


6

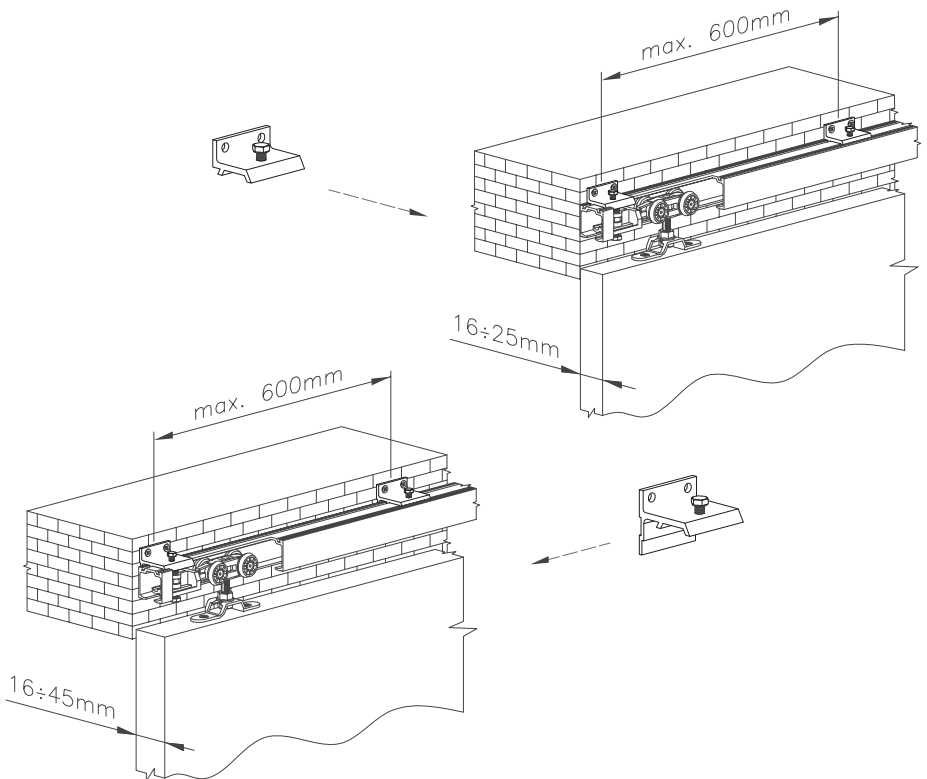


7

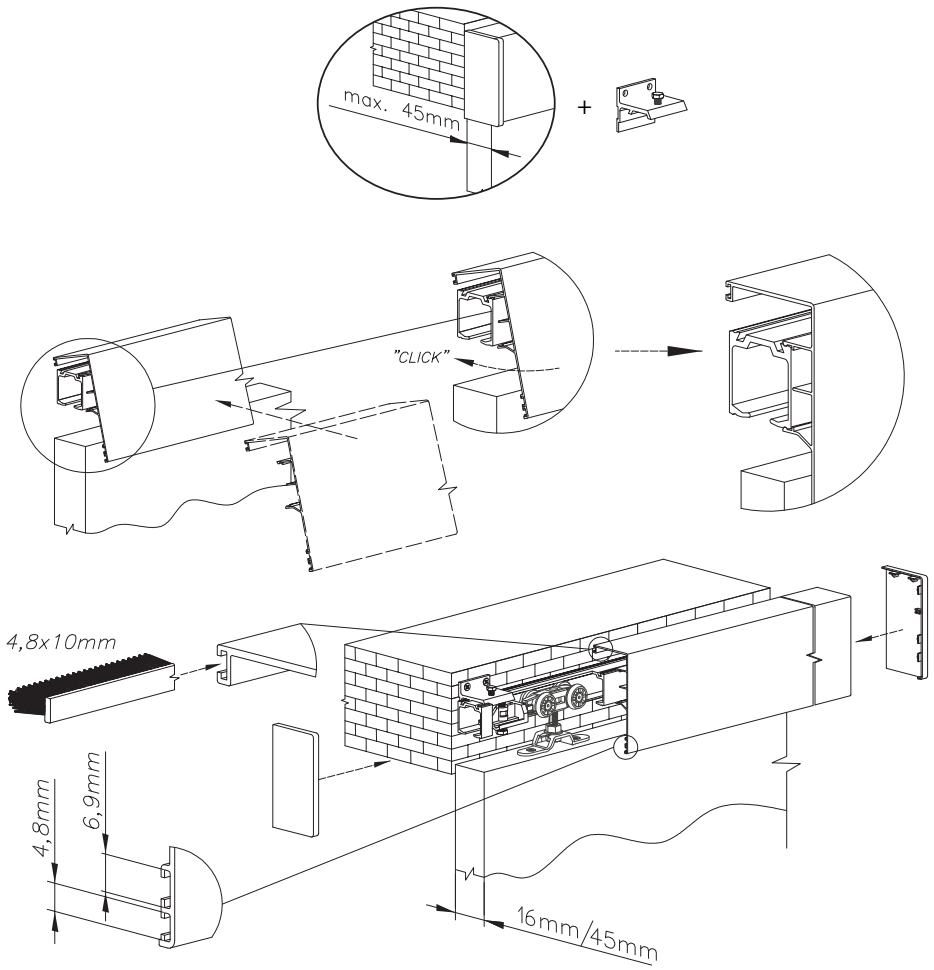




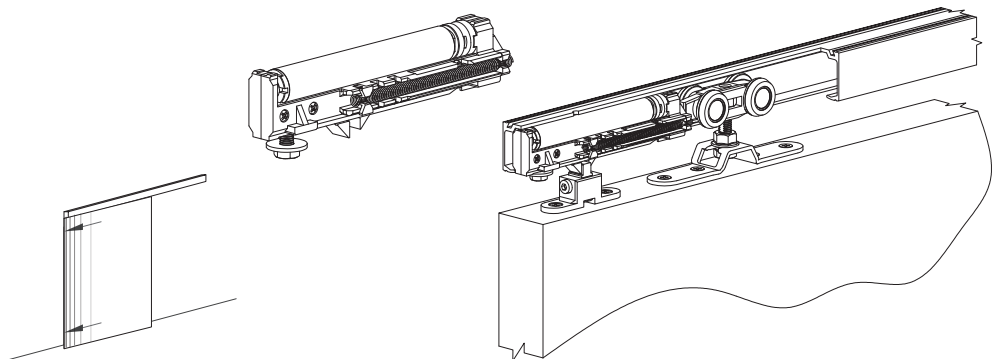
1



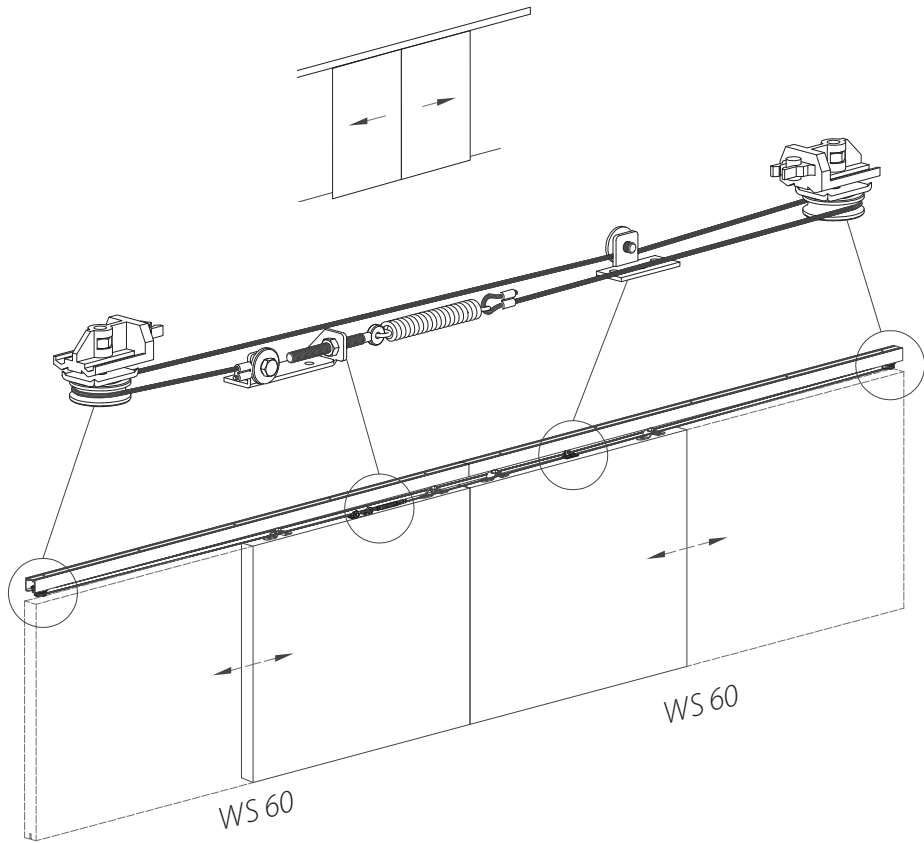
2



3 SILENT-STOP



4 SYMETRIC



5

